

STAINLESS STEEL SQUARE FLOOR SINK

» 861 SERIES

SPECIFICATION

Sioux Chief 861 series stainless steel square floor sink shall be used where necessary in drainage systems. Sink shall have a formed and welded stainless steel body with anchor flange and 4" no-hub connection. All sink surfaces shall have a bead-blasted finish. A removable stainless steel dome bottom strainer shall be included. Dome strainer shall fit into sink outlet to prevent misalignment. Designed in accordance with ASME A112.6.7.

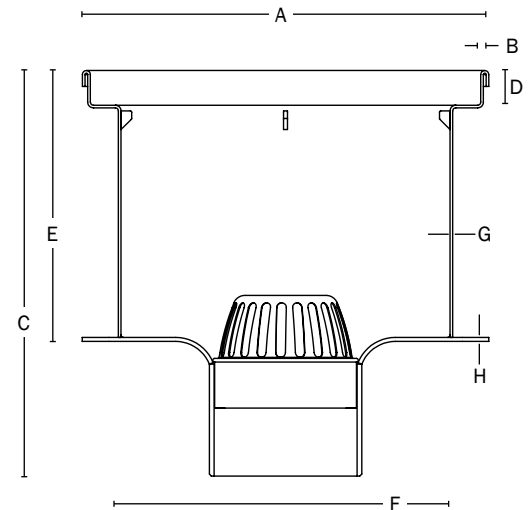
MATERIALS

304 Stainless steel

DIMENSIONS

| | |
|---------------------------------|--------------------|
| Connection size | 4" No-Hub |
| A: Top diameter | 12" x 12" |
| B: Rim thickness | 0.25" |
| C: Overall height | 12" |
| D: Grate recess | 1" |
| E: Sump height | 8" |
| F: Sump diameter | 9.875" |
| G: Sump wall thickness | 14 gauge (~0.075") |
| H: Base/flange thickness | 11 gauge (~0.125") |

| |
|------------------------|
| ITEM # SUBMITTED _____ |
| JOB NAME _____ |
| LOCATION _____ |
| ENGINEER _____ |
| CONTRACTOR _____ |
| PO# _____ TAG _____ |



Item Number

861-SQ2428

Accessories - Available Separately:

- 861-GKQ2F: Stainless steel grate - 11ga. square perforated pattern - Full
- 861-GKQ2H: Stainless steel grate - 11ga. square perforated pattern - Open-Half
- 861-GKQ2FL: Stainless steel grate - Heavy-duty, high-inflow ladder pattern - Full
- 861-GKQ2FW: Stainless steel grate - Heavy-duty, heel-resistant wire pattern - Full
- 861-BKQ2: Stainless steel debris basket - fits in bottom of sump area