

UNDER-SINK STUB OUT & STOP VALVE KIT

»» 689 SERIES

StopOut™

SPECIFICATION

Sioux Chief 689 Series StopOut™ stub out and stop valve kit shall be used where necessary in plumbing systems for secure mounting of floor-mounted water supply valves at rough-in. Kit shall include mounting plate, preformed copper stub out elbow with plate bracket, 1/4-Turn, push-fit stop valve, and durable debris cover. Mounting plate shall secure to subfloor and anchor preformed copper elbow in place. Valves shall be plated and available with integral water hammer arresters for protection of downstream fixtures. Copper elbow and valve connections shall conform to appropriate standards including ASTM fitting end specifications.

MATERIALS

Elbow: 1/2" Nom. Type L copper tube (brass¹ F1960 fitting)

Mounting plate: ABS

Valve: No-Lead brass¹

Arrester: 304SS barrel with brass¹ body

Arrester piston: Polypropylene with EPDM o-rings

Debris cover: HDPE

VALVE SAFE WORKING LIMITS

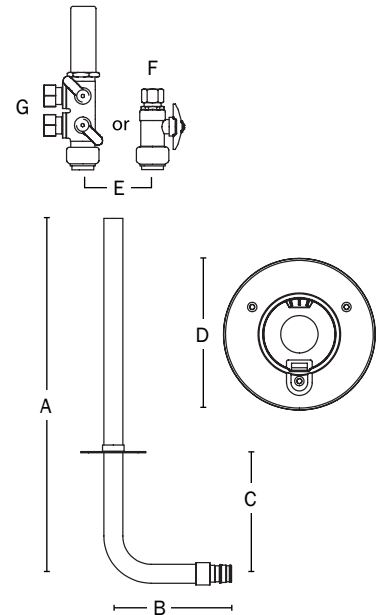
Max working temp: 200 °F

Max testing/working pressure: 150 PSIG

DIMENSIONS

A: Stubout height	11-3/4"
B: Stubout leg	4"
C: Inlet to floor bracket	4"
D: Mounting plate dia.	5"
E: Valve inlet	1/2" Nom. push-fit
F: Valve outlet (standard)	3/8" OD compression
G: Valve outlets (arrester)	3/8" OD compression (2)
	3/8" OD comp (1) and 1/4" OD comp (1)
H: Debris cover height	12-3/8"

ITEM # SUBMITTED	_____
JOB NAME	_____
LOCATION	_____
ENGINEER	_____
CONTRACTOR	_____
PO#	_____ TAG _____



Create Item Number

689 A B

e.g. **689WG211:** StopOut™ kit with 1/2" F1807 connection elbow and dual 3/8" comp. stop valve with arrester

ELBOW CONNECTION TYPE **A**

XG = 1/2" F1807 PEX

WG = 1/2" F1960 PEX

VALVE OUTLET/TYPE **B**

11 = (1) 3/8" Compression

201 = (1) 1/4", (1) 3/8" Compression with arrester

211 = (2) 3/8" Compression with arrester

¹ Brass material is DZR and SCC resistant, compliant with NSF-61 & 372, and compliant with California No Lead Plumbing Law